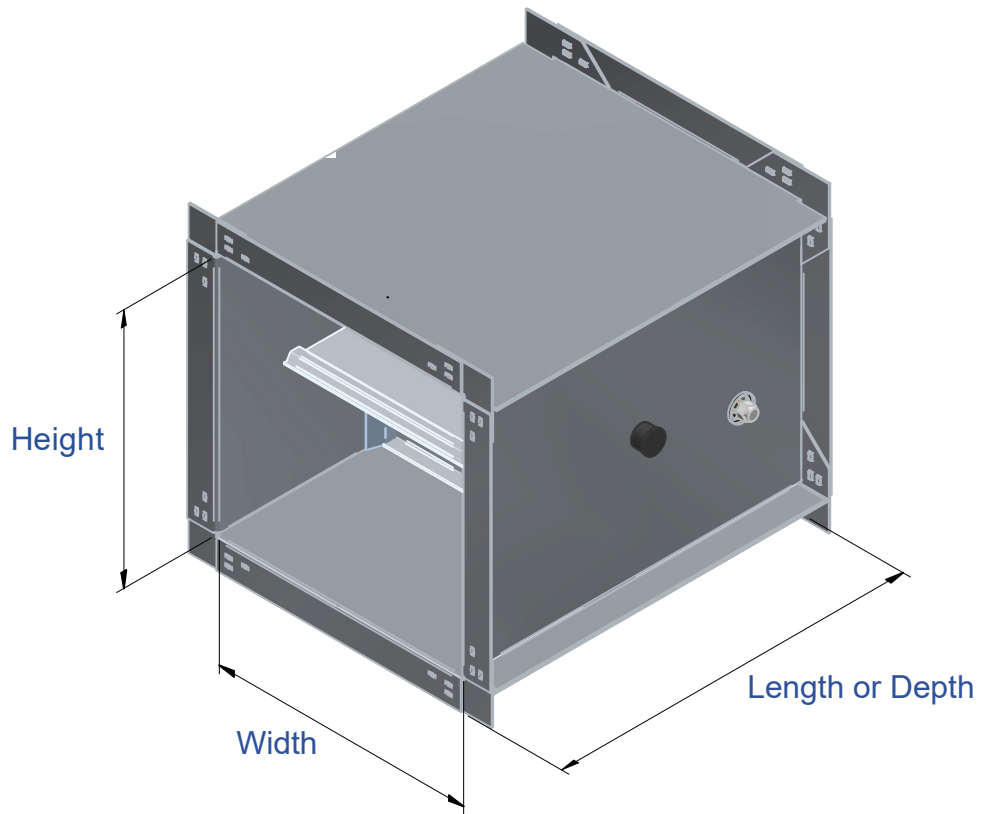
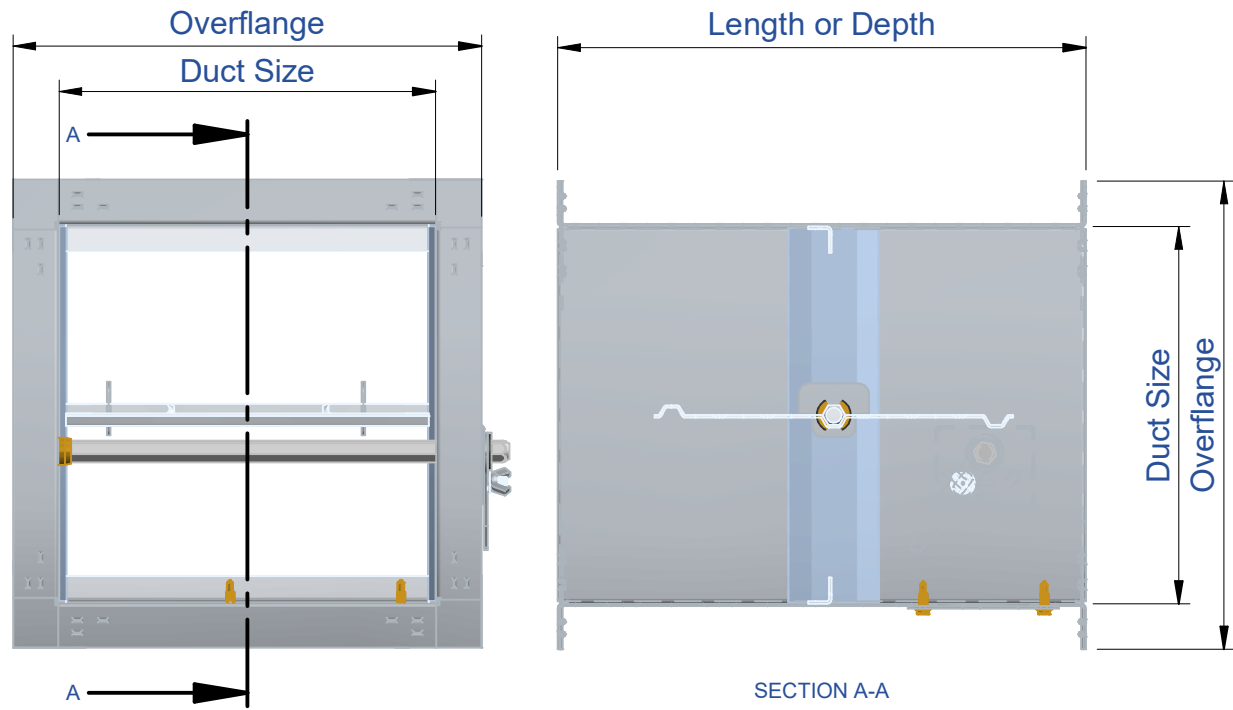


Fire Damper Size Specification W x H x L



ELECTROVENT